

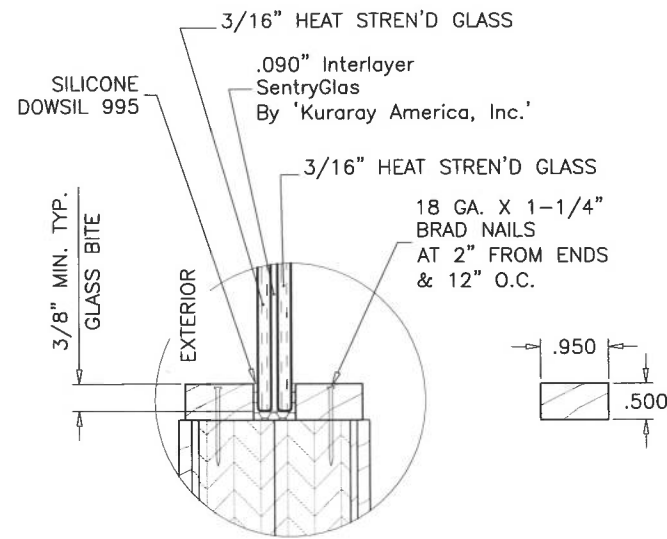
TYPICAL ELEVATION

MAXIMUM DESIGN LOAD RATING = + 55.0 PSF
 (FOR MAX. SIZE SHOWN ABOVE OR SMALLER) - 55.0 PSF
 AS PERMITTED BY FBC REQUIREMENTS

NOTE:
 APPLICABLE EGRESS REQUIREMENTS TO BE REVIEWED BY AHJ.

THESE DOORS ARE RATED FOR LARGE & SMALL MISSILE IMPACT.
 SHUTTERS ARE NOT REQUIRED.

NOTE:
 GLASS CAPACITIES ON THIS SHEET ARE
 BASED ON ASTM E1300-09 (3 SEC. GUSTS)
 AND FLORIDA BUILDING COMMISSION
 DECLARATORY STATEMENT DCA05-DEC-219



GLASS INSERT DETAIL

7/16" OVERALL LAM. GLASS

FOR GLASS INSERTS LIMIT MAX. GLASS AREA TO 7.7 SQ. FT.

OUTSWING OPAQUE WOOD PIVOT DOOR

DOORS WITH SILL APPROVED FOR INSTALLATION WHERE WATER INFILTRATION RESISTANCE IS REQUIRED.
 DOORS WITHOUT SILL NOT APPROVED FOR WATER INFILTRATION RESISTANCE.

THIS PRODUCT HAS BEEN DESIGNED AND TESTED TO COMPLY WITH THE REQUIREMENTS OF THE 2017 (6TH EDITION) FLORIDA BUILDING CODE INCLUDING HIGH VELOCITY HURRICANE ZONE (HVHZ).

1BY OR 2BY WOOD BUCKS & BUCK FASTENERS BY OTHERS, MUST BE DESIGNED AND INSTALLED ADEQUATELY TO TRANSFER APPLIED PRODUCT LOADS TO THE BUILDING STRUCTURE.

ANCHORS SHALL BE CORROSION RESISTANT, SPACED AS SHOWN ON DETAILS AND INSTALLED PER MANUF'S INSTRUCTIONS. SPECIFIED EMBEDMENT TO BASE MATERIAL SHALL BE BEYOND WALL DRESSING OR STUCCO.

A LOAD DURATION INCREASE IS USED IN DESIGN OF ANCHORS INTO WOOD ONLY.
 ALL SHIMS TO BE HIGH IMPACT, NON-METALLIC AND NON-COMPRESSIBLE.

MATERIALS INCLUDING BUT NOT LIMITED TO STEEL/METAL SCREWS, THAT COME INTO CONTACT WITH OTHER DISSIMILAR MATERIALS SHALL MEET THE REQUIREMENTS OF THE 2017 FLORIDA BLDG. CODE & ADOPTED STANDARDS.

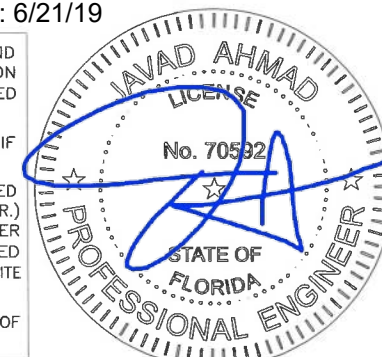
THIS PRODUCT APPROVAL IS GENERIC AND DOES NOT PROVIDE INFORMATION FOR A SITE SPECIFIC PROJECT, I.E. LIFE SAFETY OF THIS PRODUCT, ADEQUACY OF STRUCTURE RECEIVING THIS PRODUCT AND SEALING AROUND OPENING FOR WATER INFILTRATION RESISTANCE ETC.

CONDITIONS NOT SHOWN IN THIS DRAWING ARE TO BE ANALYZED SEPARATELY, AND TO BE REVIEWED BY BUILDING OFFICIAL.

MANUFACTURER'S LABEL SHALL BE LOCATED ON A READILY VISIBLE LOCATION IN ACCORDANCE WITH SECTION 1709.9.3 OF FLORIDA BUILDING CODE.
 LABELING TO COMPLY WITH SECTION 1709.9.2.

FL #29879
 SEALED: 6/21/19

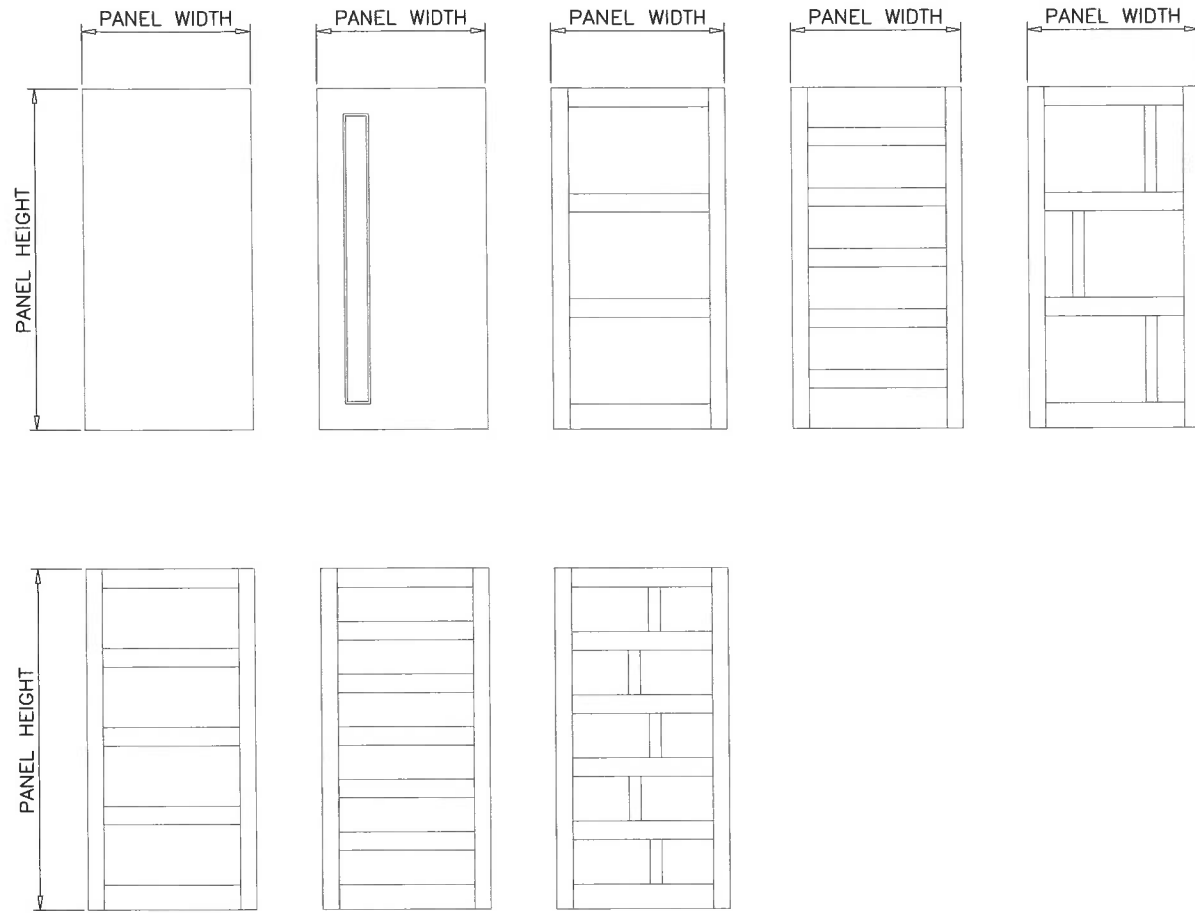
- A- CONTRACTOR TO BE RESPONSIBLE FOR THE SELECTION, PURCHASE AND INSTALLATION OF THIS PRODUCT BASED ON THIS PRODUCT EVALUATION PROVIDED HE/SHE DOES NOT DEVIATE FROM THE CONDITIONS DETAILED ON THIS DOCUMENT.
- B- THIS PRODUCT EVALUATION DOCUMENT WILL BE CONSIDERED INVALID IF ALTERED BY ANY MEANS.
- C- SITE SPECIFIC PROJECTS SHALL BE PREPARED BY A FLORIDA REGISTERED ENGINEER OR ARCHITECT WHICH WILL BECOME THE ENGINEER OF RECORD (E.O.R.) FOR THE PROJECT AND WHO WILL BE RESPONSIBLE FOR THE PROPER USE OF THE P.E.D. ENGINEER OF RECORD, ACTING AS A DELEGATED ENGINEER TO THE P.E.D. ENGINEER SHALL SUBMIT TO THIS LATTER THE SITE SPECIFIC DRAWINGS FOR REVIEW.
- D- THIS P.E.D. SHALL BEAR THE DATE AND ORIGINAL SEAL AND SIGNATURE OF THE PROFESSIONAL ENGINEER OF RECORD THAT PREPARED IT.



af c
AL-FAROOQ CORPORATION
 ENGINEERS & PRODUCT DEVELOPMENT
 9360 SUNSET DRIVE, SUITE 220
 MIAMI, FLORIDA 33173 (C.A.N. 3538)
 TEL. (305) 264-8100 FAX. (305) 262-6978
 COMP-ANL\19-42F-EWD

OUTSWING OPAQUE WOOD PIVOT DOOR (L.M.I.)
Exclusive Wood Doors, Inc.
 2000 N.W. 95Th Ave.
 Doral, FL. 33172
 Tel. (305) 477-2278 Fax. (305) 477-7140

revisions:	no	date	by	description
date:	15-15-19	scale:	1/2"=1'-0"	dr. by: TARIQ
chk. by:				
drawing no.	19-42F			
sheet	1 of 7			

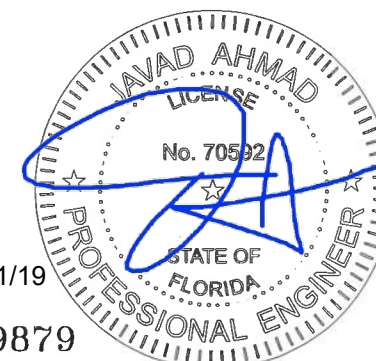


LEAF PATTERNS AS SHOWN ABOVE OR SIMILAR WITH VARIOUS FINISES AND DECORATIVE MOULDINGS ARE ALSO ALLOWED.

FOR LEAF PATTERNS WITH GLASS INSERTS. SEE SHEET 1 FOR GLASS DETAIL. LIMIT GLASS AREA TO 7.7 SQ. FT. MAXIMUM LIMIT GLASS WIDTH OR HEIGHT TO 8" MINIMUM

SEALED: 6/21/19

FL #29879



AL-FAROOQ CORPORATION
 ENGINEERS & PRODUCT DEVELOPMENT
 9360 SUNSET DRIVE, SUITE 220
 MIAMI, FLORIDA 33173 (C.A.N. 3538)
 TEL. (305) 264-8100 FAX. (305) 262-6978

COMP-ANL\19-42F-EWD

OUTSWING OPAQUE WOOD PIVOT DOOR (L.M.I.)

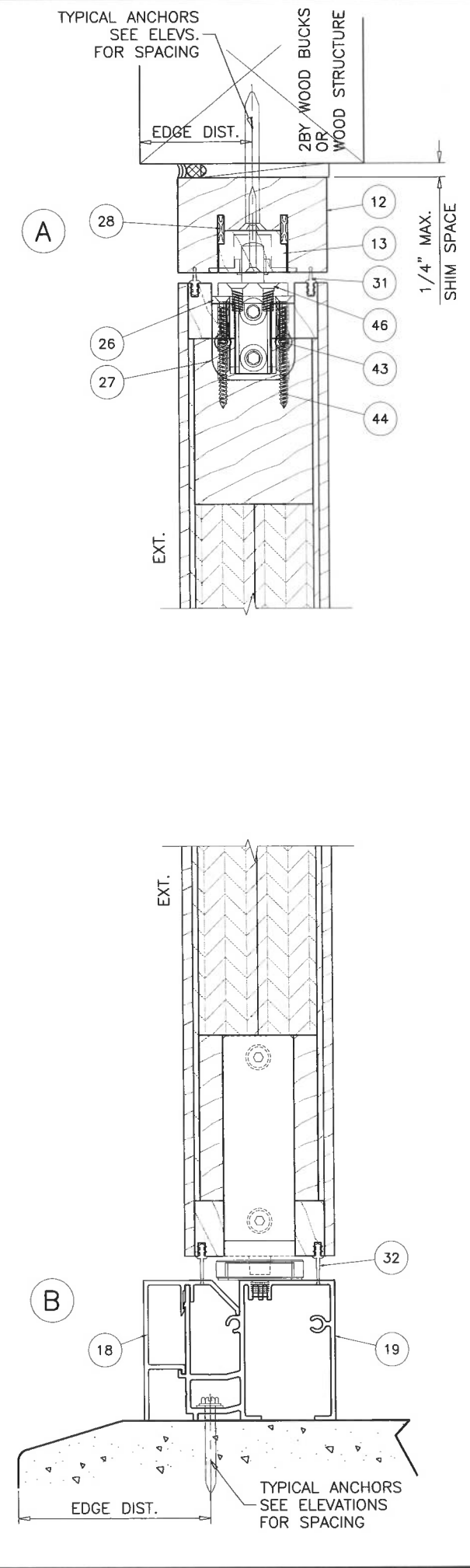
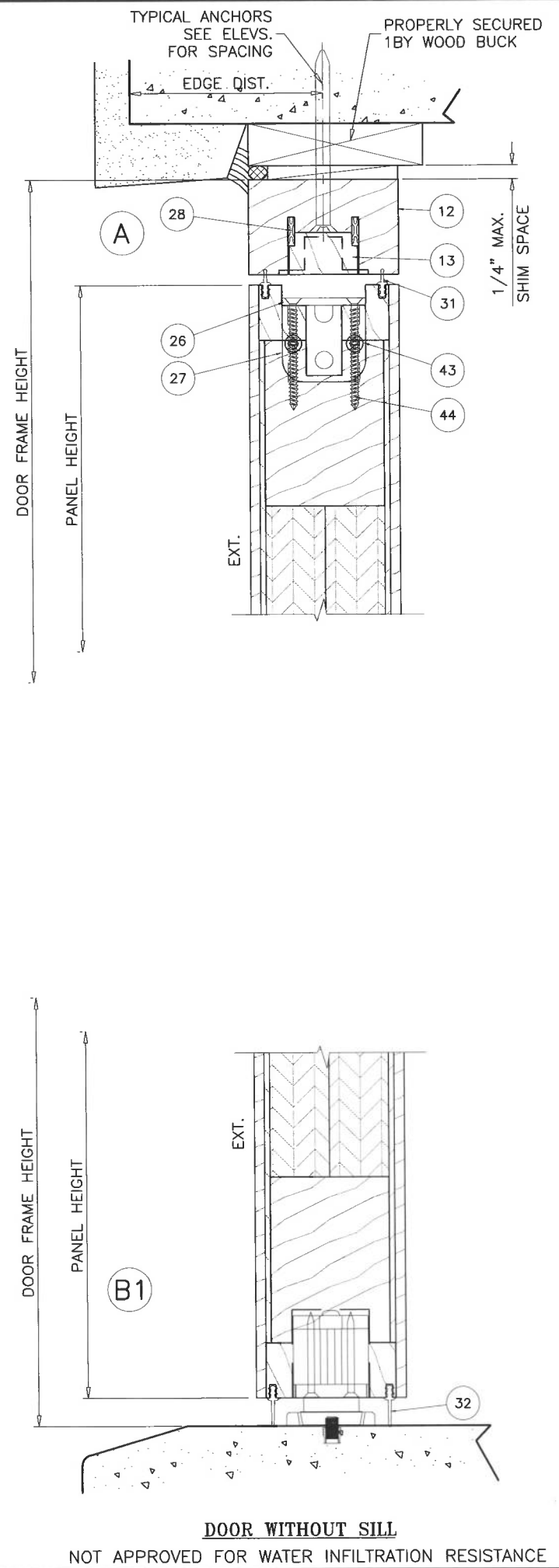
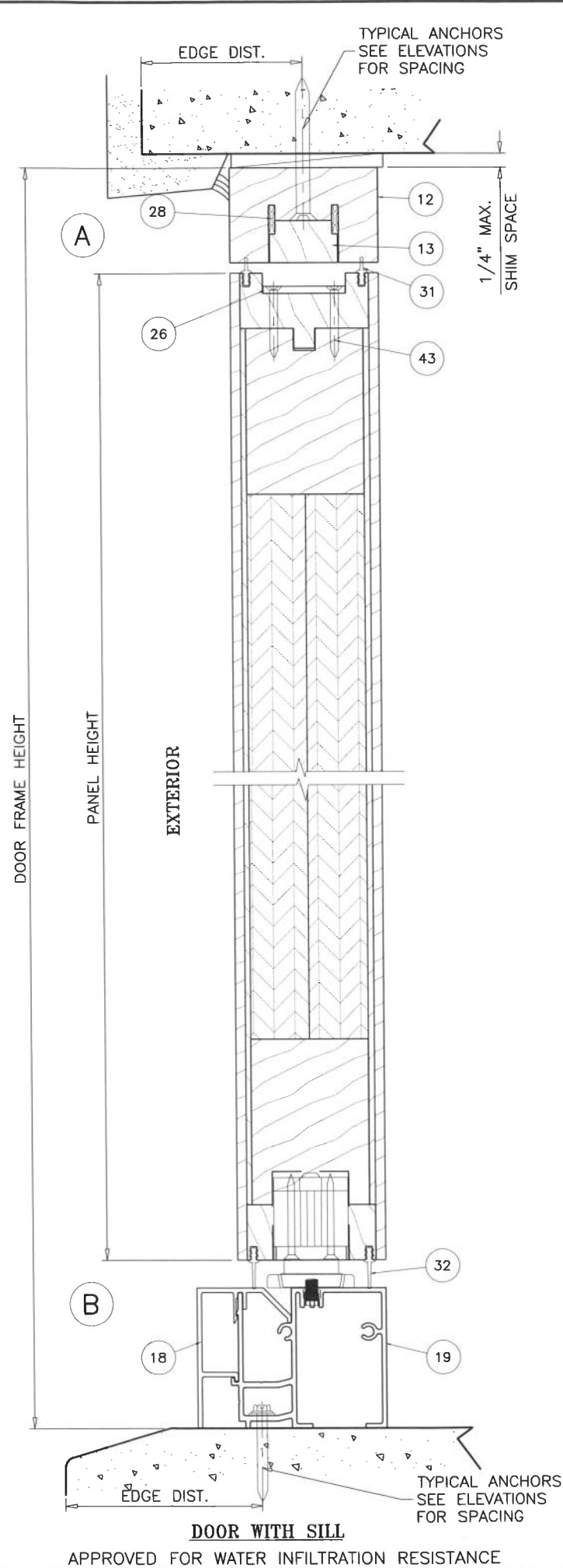
Exclusive Wood Doors, Inc.
 2000 N.W. 95Th Ave.
 Doral, FL. 33172

Tel. (305) 477-2278 Fax. (305) 477-7140

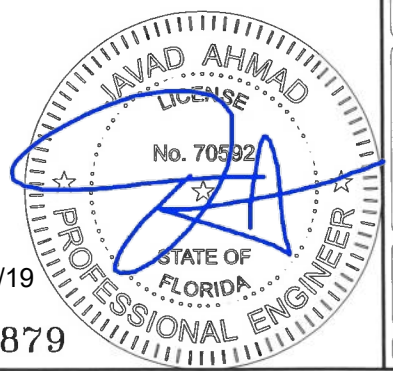
revisions:	no	date	by	description

date:	15-15-19
scale:	-
dr. by:	TARIQ
chk. by:	

drawing no.	19-42F
sheet	2 of 7



SEALED: 6/21/19
FL #29879



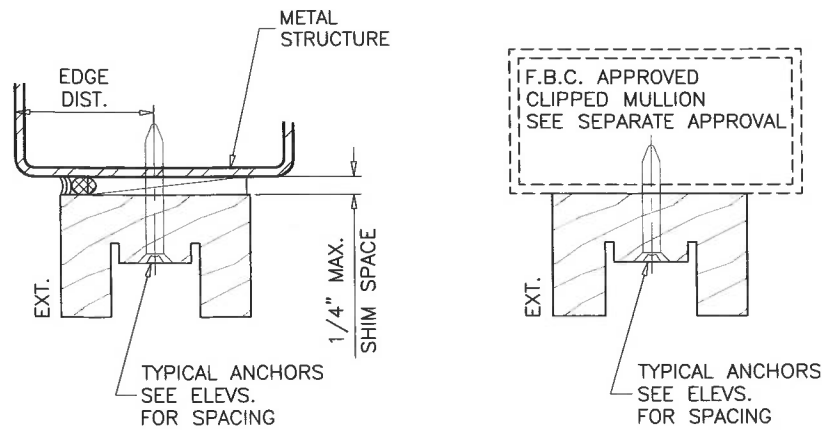
af c
AL-FAROOQ CORPORATION
ENGINEERS & PRODUCT DEVELOPMENT
9360 SUNSET DRIVE, SUITE 220
MIAMI, FLORIDA 33173 (C.A.N. 3538)
TEL. (305) 264-8100 FAX. (305) 262-6978
COMP-ANL 19-42F-EWD

OUTSWING OPAQUE WOOD PIVOT DOOR (L.M.I.)
Exclusive Wood Doors, Inc.
2000 N.W. 95Th Ave.
Doral, FL. 33172
Tel. (305) 477-2278 Fax. (305) 477-7140

revisions:	no.	date	by	description

date: 15-15-19
scale: 3/8" = 1"
dr. by: TARIQ
chk. by:

drawing no.
19-42F
sheet 3 of 7



1BY OR 2BY WOOD BUCKS AND METAL STRUCTURE NOT BY EXCLUSIVE WOOD DOORS MUST SUSTAIN LOADS IMPOSED BY GLAZING SYSTEM AND TRANSFER THEM TO THE BUILDING STRUCTURE.

TYPICAL ANCHORS: SEE ELEV. FOR SPACING

#14 WOOD SCREWS (GRADE 2 CRS)
 INTO 2BY WOOD BUCKS OR WOOD STRUCTURES
 1-1/2" MIN. PENETRATION INTO WOOD (HEAD/JAMBS)

1/4" DIA. TAPCON BY 'ITW' (Fu=125 KSI, Fy=100 KSI)
 THRU 1BY BUCKS INTO CONC. OR BLOCKS
 1-1/2" MIN. EMBED INTO CONCRETE (HEAD/JAMBS)
 1-1/4" MIN. EMBED INTO BLOCKS (JAMBS)

DIRECTLY INTO CONCRETE OR BLOCKS
 1-1/2" MIN. EMBED INTO CONCRETE (HEAD/JAMBS)
 1-1/4" MIN. EMBED INTO BLOCKS (JAMBS)

1/4-20 TEKS OR SELF-DRILLING SCREWS (GRADE 5 CRS)
 INTO F.B.C. APPROVED MULLIONS
 OR
 INTO METAL STRUCTURES (HEAD/JAMBS)
 (3) THREADS MIN. TO EXTEND BEYOND METAL THICKNESS
 ALUMINUM: 1/8" THK. MIN. (6063-T5 MIN.)
 STEEL: 1/8" THK. MIN. (Fy = 36 KSI MIN.)
 (STEEL IN CONTACT WITH ALUMINUM TO BE PLATED OR PAINTED)

3/16" DIA. TAPCON BY 'ITW' (Fu=125 KSI, Fy=100 KSI)
 DIRECTLY INTO CONCRETE
 1-1/2" MIN. EMBED INTO CONCRETE

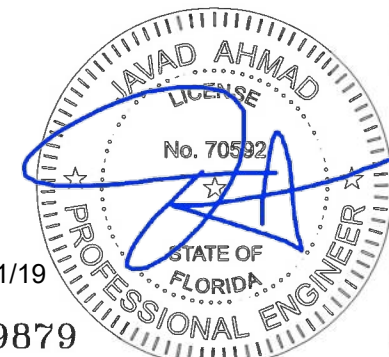
CRITICAL EDGE DISTANCE

INTO CONCRETE AND BLOCKS = 2-1/2" MIN.
 INTO WOOD STRUCTURE = 1" MIN.
 INTO METAL STRUCTURE = 3/4" MIN.

WOOD AT HEAD OR JAMBS SG = 0.55 MIN.
 CONCRETE AT HEAD, SILL OR JAMBS f'c = 3000 PSI MIN.
 C-90 HOLLOW/FILLED BLOCK AT JAMBS f'm = 2000 PSI MIN.

AT HEAD & JAMBS

AT SILL



SEALED: 6/21/19

FL #29879



AL-FAROOQ CORPORATION
 ENGINEERS & PRODUCT DEVELOPMENT
 9360 SUNSET DRIVE, SUITE 220
 MIAMI, FLORIDA 33173 (C.A.N. 3538)
 TEL. (305) 264-8100 FAX. (305) 262-6978
 COMP-ANL\19-42F-EWD

OUTSWING OPAQUE WOOD PIVOT DOOR (L.M.I.)

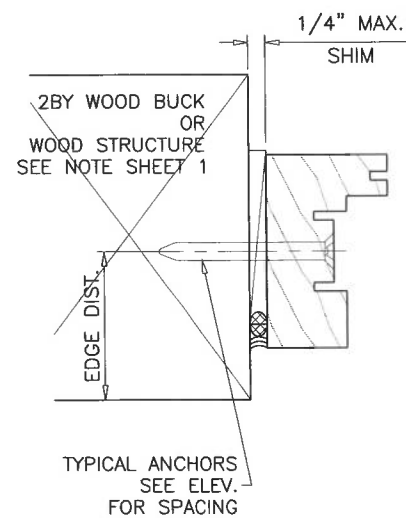
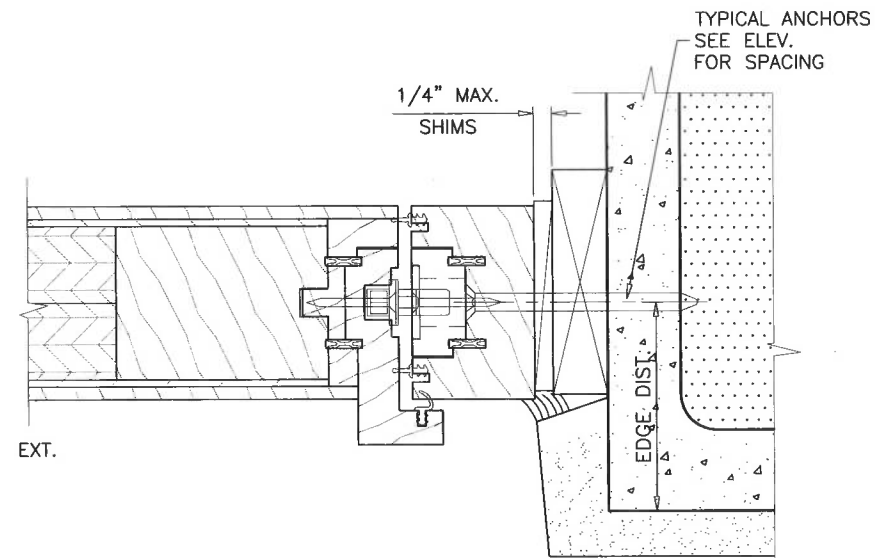
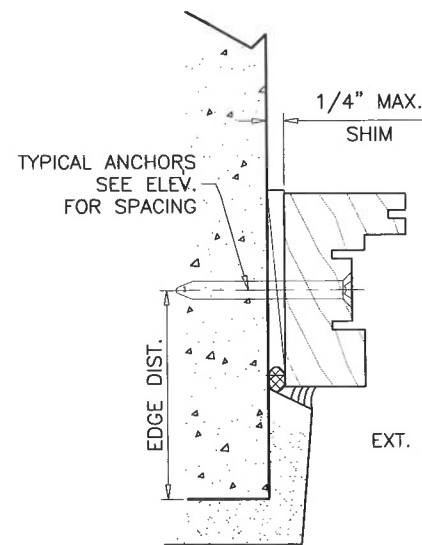
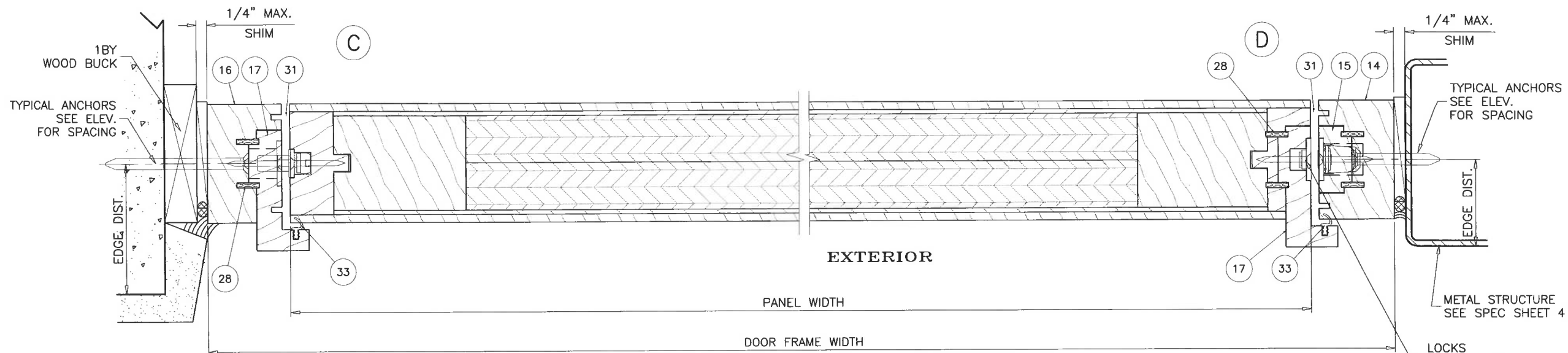
Exclusive Wood Doors, Inc.

2000 N.W. 95Th Ave.
 Doral, FL. 33172
 Tel. (305) 477-2278 Fax. (305) 477-7140

revisions:
 no. date by description

date: 15-15-19
 scale: 3/8" = 1"
 dr. by: TARIQ
 chk. by:

drawing no.
19-42F
 sheet 4 of 7



afc

AL-FAROOQ CORPORATION
 ENGINEERS & PRODUCT DEVELOPMENT
 9360 SUNSET DRIVE, SUITE 220
 MIAMI, FLORIDA 33173 (C.A.N. 3538)
 TEL. (305) 264-8100 FAX. (305) 262-6978

COMP-ANL\19-42F-EWD

OUTSWING OPAQUE WOOD PIVOT DOOR (L.M.I.)

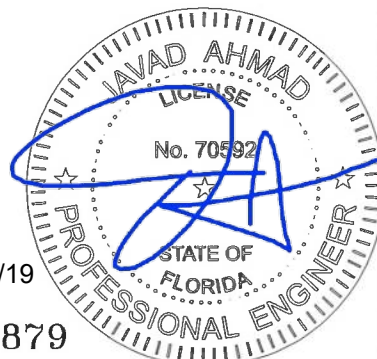
Exclusive Wood Doors, Inc.

2000 N.W. 95Th Ave.
 Doral, FL. 33172
 Tel. (305) 477-2278 Fax. (305) 477-7140

revisions:	no.	date	by	description

date: 15-15-19
 scale: 3/8" = 1"
 dr. by: TARIQ
 chk. by:

drawing no.
19-42F
 sheet 5 of 7



SEALED: 6/21/19

FL #29879

ITEM #	PART #	REQD.	DESCRIPTION	MATERIAL	MANF./SUPPLIER/REMARKS
10	-	AS REQD.	PANEL RAIL	WOOD	MAHOGANY
11	-	AS REQD.	PANEL STILE	WOOD	MAHOGANY
12	-	AS REQD.	DOOR FRAME	WOOD	MAHOGANY
13	-	AS REQD.	ANCHOR COVER	WOOD	MAHOGANY
14	-	AS REQD.	DOOR FRAME	WOOD	MAHOGANY
15	-	AS REQD.	ANCHOR COVER	WOOD	MAHOGANY
16	-	AS REQD.	DOOR FRAME	WOOD	MAHOGANY
17	-	AS REQD.	ASTRAGAL	WOOD	MAHOGANY
18	-	AS REQD.	SILL COVER	6063-T5	-
19	-	AS REQD.	SILL BASE	6063-T6	-
25	-	AS REQD.	TOP PIVOT SUPPORT PLATE	6063-T6	-
26	-	AS REQD.	RAIL SUPPORT PLATE	6063-T6	-
27	-	AS REQD.	RAIL COVER PLATE	6063-T6	-
28	-	AS REQD.	JOINT GASKET	ALUMINUM	UNIFORM
31	-	AS REQD.	WEATHERSEAL/GASKET	SILICONE	CONSERVATION TECHNOLOGIES
32	-	AS REQD.	WEATHERSEAL/GASKET	SILICONE	CONSERVATION TECHNOLOGIES
33	-	AS REQD.	WEATHERSEAL/GASKET	SILICONE	CONSERVATION TECHNOLOGIES
36	-	AS REQD.	DRAIN ELBOW FITTING	ABS	-
37	-	AS REQD.	DRAIN TEE FITTING	ABS	-
43	-	AS REQD.	#8 X 1-1/4" FP SMS	ST. STEEL	-
44	-	AS REQD.	#8 X 2" FP SMS	ST. STEEL	-
45	-	AS REQD.	#10 X 3" FP SMS	ST. STEEL	-
46	-	AS REQD.	#12 FH MACHINE SCREWS	ST. STEEL	-
-	-	-	-	-	-

TYPICAL WOOD MAHOGANY LUMBER

SPECIFIC GRAVITY = 0.44 MIN.
 GRADE = 2 MIN.
 MOISTURE CONTENT = 19% MAX.

LOCKS:

MLS 1

Lock Stile / Pivot Stile:

Hoppe HLS9000 Multipoint Lock Assembly (Tongue) With Corner Drives
 (6-8) Locking Points Engaging From Lock Stile and Pivot Stile To Frame
 Lock Handle Located at 38.5" From Bottom

MLS 2

Lock Stile:

Hoppe Contemporary 855GL Multipoint Lock Assembly (Round Bolt / Swing Hook)
 (3-4) Locking Points Engaging From Lock Stile To Frame
 Lock Handle Located at 40.16" From Bottom
 or
 Hoppe HLS9000 Multipoint Lock Assembly (Tongue / Shootbolt)
 (5) Locking Points Engaging From Lock Stile To Frame
 Lock Handle Located at 36" From Bottom

Pivot Stile:

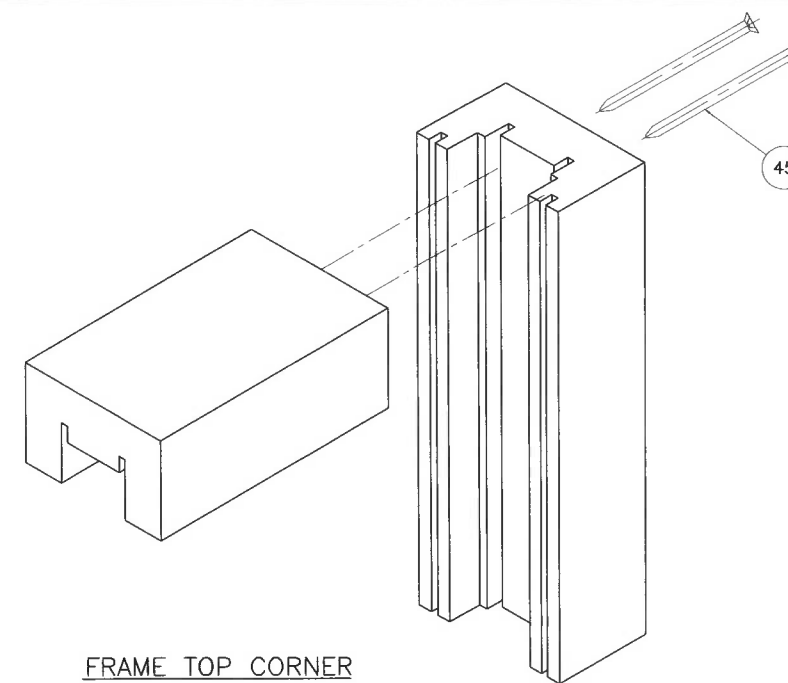
Hoppe High Performance Lock (HPL) Assembly (Tongue)
 (2-3) Locking Points Engaging From Pivot Stile To Frame
 Lock Handle Located to at 36" or 40.16" From Bottom

PIVOT HINGES:

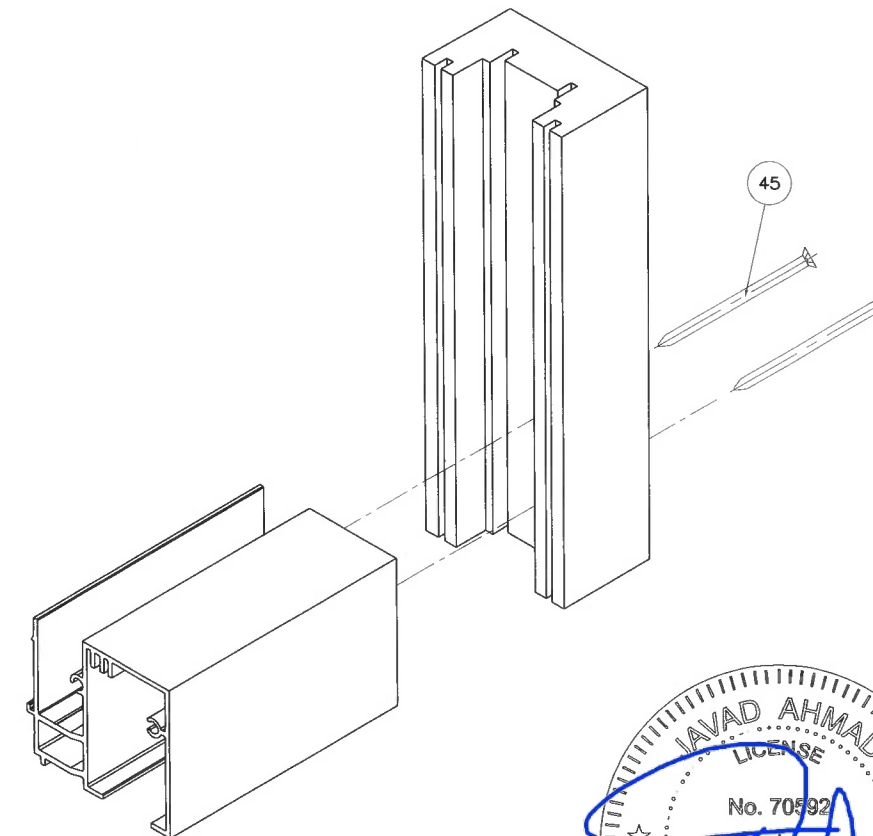
'SYSTEM ONE' OR 'SYSTEM M' PIVOT HINGES BY 'FRITSJURGENS'

SEALANTS:

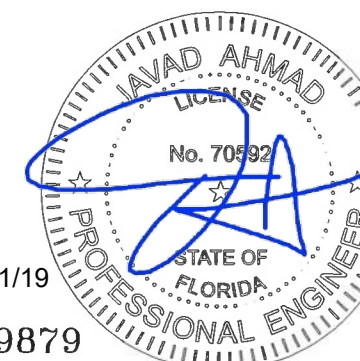
ALL JOINTS AND FRAME CONNECTIONS SEALED WITH
 WHITE/ALUMINUM COLORED SILICONE.



FRAME TOP CORNER



FRAME BOTTOM CORNER



SEALED: 6/21/19

FL #29879



AL-FAROOQ CORPORATION
 ENGINEERS & PRODUCT DEVELOPMENT
 9360 SUNSET DRIVE, SUITE 220
 MIAMI, FLORIDA 33173 (C.A.N. 3538)
 TEL. (305) 264-8100 FAX. (305) 262-6978

COMP-ANL\19-42F-EWD

OUTSWING OPAQUE WOOD PIVOT DOOR (L.M.I.)

Exclusive Wood Doors, Inc.

2000 N.W. 95Th Ave.
 Doral, FL. 33172
 Tel. (305) 477-2278 Fax. (305) 477-7140

revisions:
 no. date by description

date: 15-15-19

scale: 3/8" = 1"

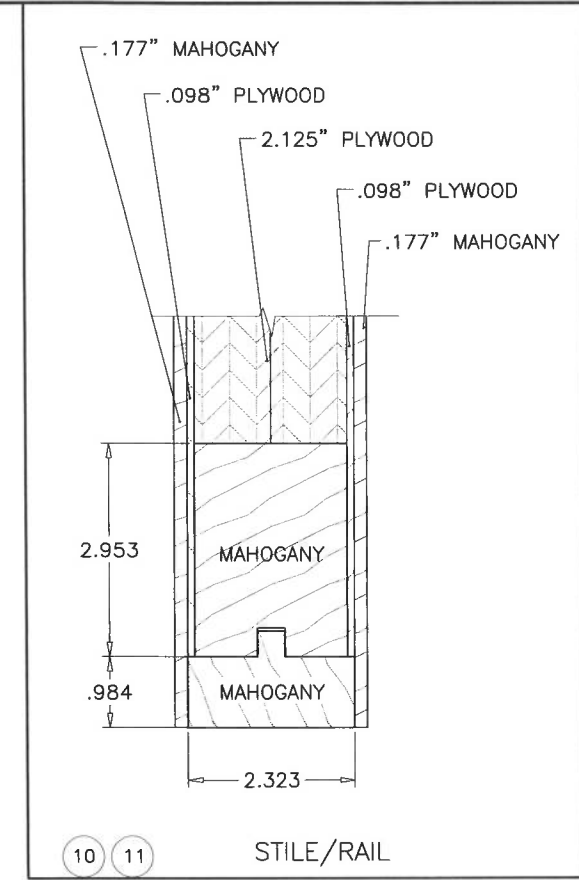
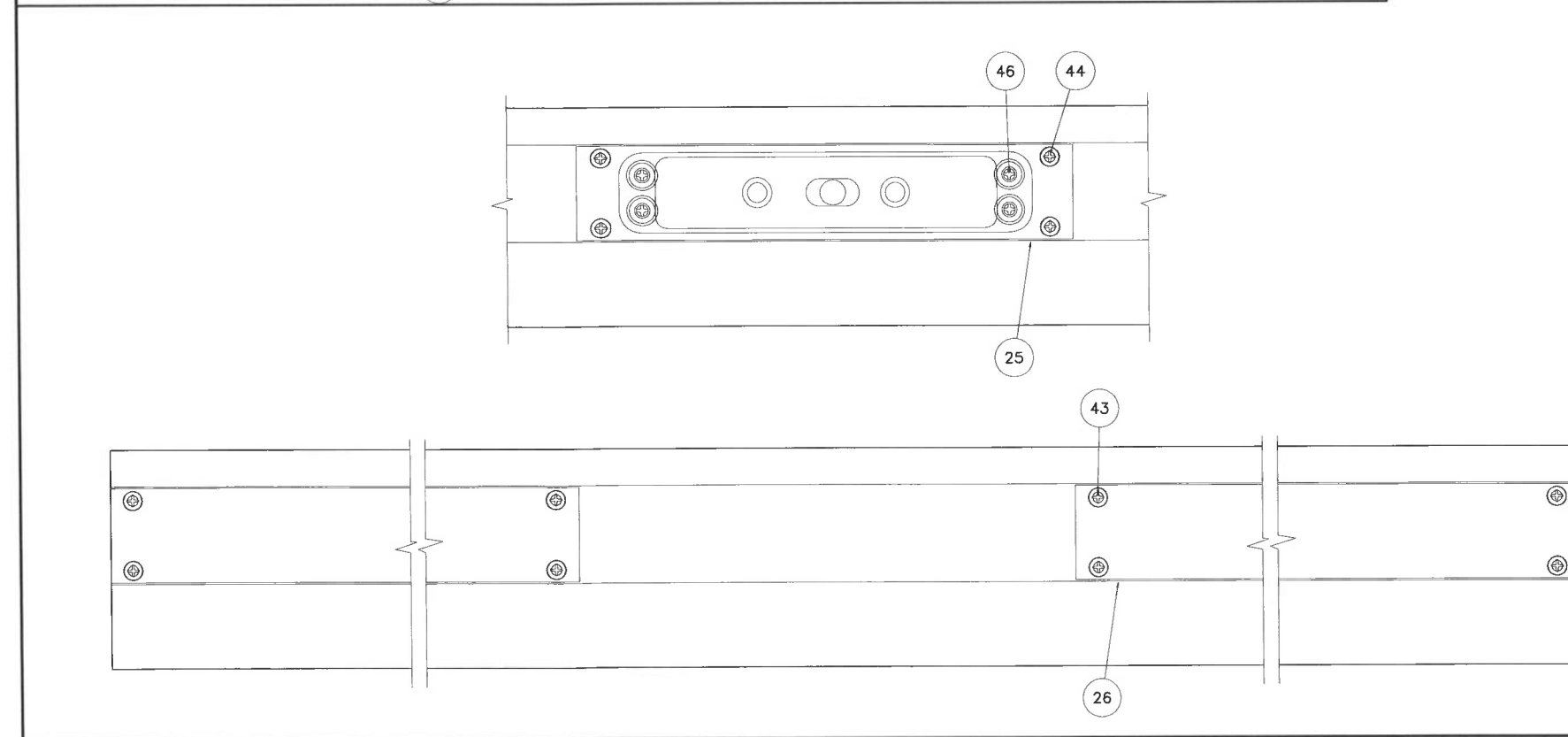
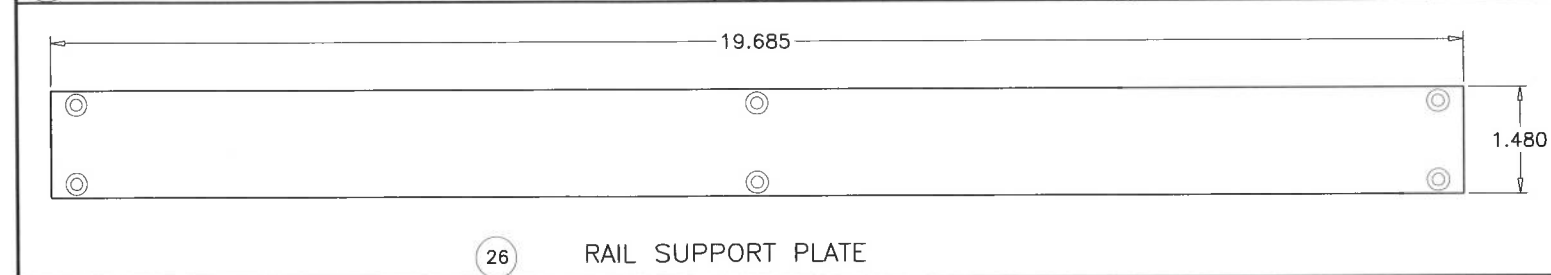
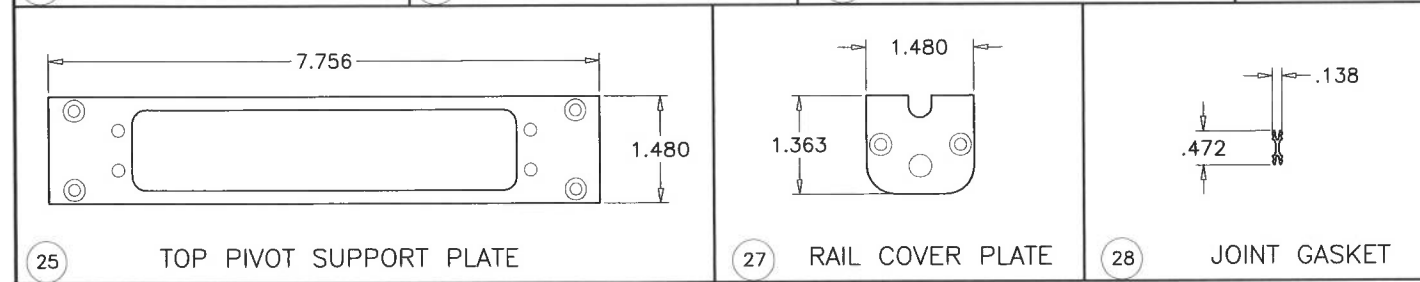
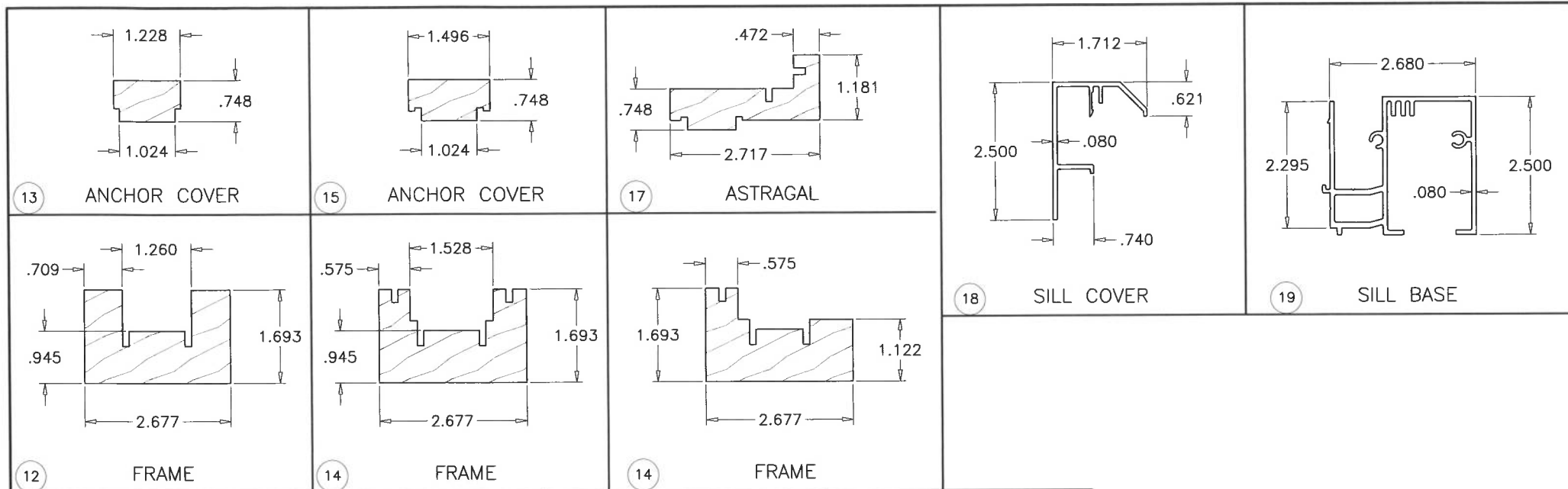
dr. by: TARIQ

chk. by:

drawing no.

19-42F

sheet 6 of 7



afc
AL-FAROOQ CORPORATION
 ENGINEERS & PRODUCT DEVELOPMENT
 9360 SUNSET DRIVE, SUITE 220
 MIAMI, FLORIDA 33173 (C.A.N. 3538)
 TEL. (305) 264-8100 FAX. (305) 262-6978
 COMP-ANL 19-42F-EWD

OUTSWING OPAQUE WOOD PIVOT DOOR (L.M.I.)
Exclusive Wood Doors, Inc.
 2000 N.W. 95Th Ave.
 Doral, FL. 33172
 Tel. (305) 477-2278 Fax. (305) 477-7140

revisions:	no.	date	by	description

date: 15-15-19
 scale: 3/8" = 1"
 dr. by: TARIQ
 chk. by:

drawing no. 19-42F
 sheet 7 of 7

FL #29879
 JAVAD AHMAD
 LICENSE
 No. 70592
 STATE OF FLORIDA
 PROFESSIONAL ENGINEER
 SEALED: 6/21/19